

# CERTIFICATE OF LOCATION OF GOVERNMENT CORNER

NORTH QUARTER Corner of Section 13, Township 108, Range 40, 5TH P.M.

STATE OF MINNESOTA, County of MURRAY

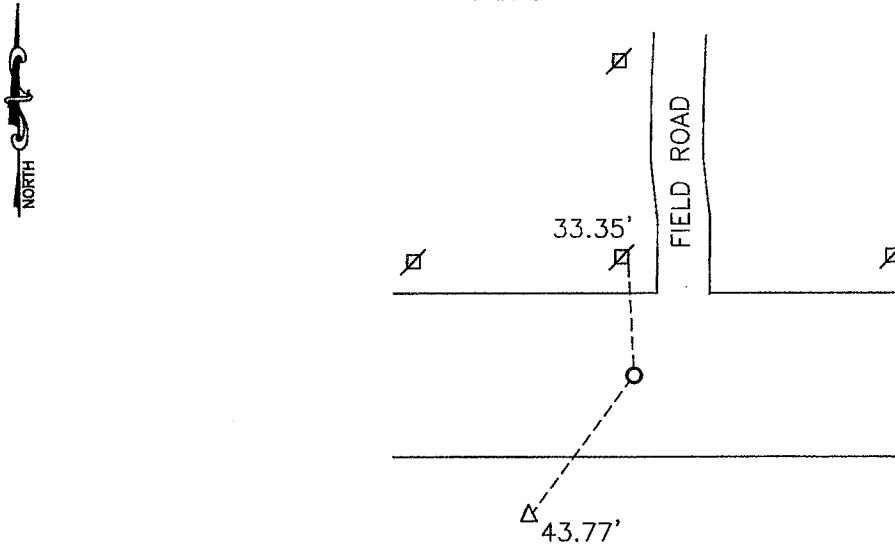
At the corner location shown on the sketch:

On 08-29-2008 found a BOLT  
DATE

left monument as found,  lowered monument,  removed monument (explain)

On \_\_\_\_\_ placed a \_\_\_\_\_  
DATE

### SKETCH OF REFERENCE TIES



Minnesota State Plane Coordinate  
System Murray County Datum  
NAD83 (1996)

N: 216297.567  
E: 545704.948

Nail and seal in power pole North 33.35'  
Top center of pedestal SW 43.77'

Statement of evidence relative to this corner location is on back of page.

I hereby certify that this document and the data contained herein was prepared by me or under my direct supervision.

[Signature] Jan. 6, 2009  
SIGNATURE DATE

Registration No. 43844

Land Surveyor,  Professional Engineer  
 County Surveyor,  County Engineer

OFFICE OF THE COUNTY RECORDER

County of \_\_\_\_\_

I hereby certify that this document was filed in the Co. Recorders office at \_\_\_\_\_ .M on the \_\_\_\_\_ day of \_\_\_\_\_ A.D. 20 \_\_\_\_\_

County Recorder [Signature]

By \_\_\_\_\_, Deputy

DOCUMENT NO. JUL 10 2009

## Statement of Evidence

In October; 1861, Lewis Brockman did the original subdivision of the township.

On April 2, 1977, the Murray County Highway Department found a field stone at the corner, they set a  $\frac{3}{4}$ " bolt over it.

On August 29, 2008, Bueltel-Moseng Land Surveying found a bolt at the corner.